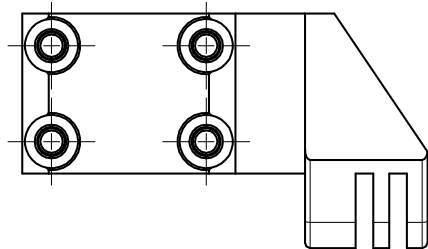
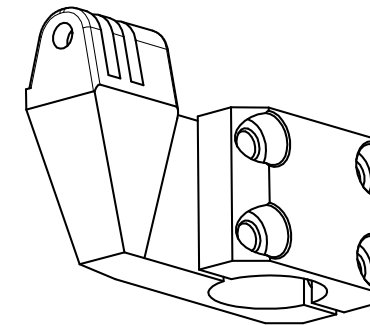
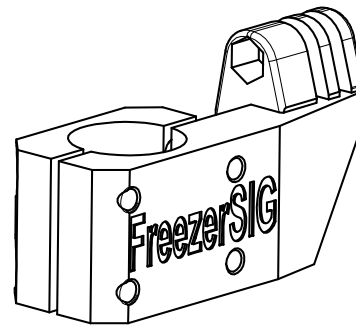
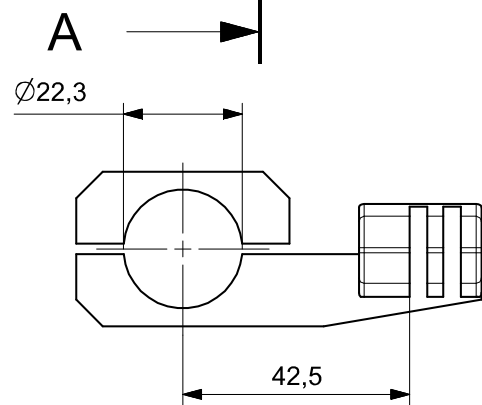
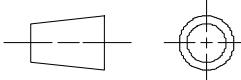


SECTION A-A



FreezerSIG			MATERIAL: ABS	
SIZE: A3	GENERAL ROUGHNESS: Ra 20	MASS [kg]: \	TREATMENT: 3D PRINT	
PCS: 1	TOLERANCES: ISO 2768	MEDIUM M	NAME: HOLDER fi 22 TUBE	
SCALE: 1:1	ISO PROJECTION:	PART NUMBER: CAD-H-fi22mm-01-01-001v1-sh001-D2D-NX		VER: A
SHEET: 1 OF 1		DESIGNED: FreezerSIG		SIGN & DATE: 2020-02-10
		APPROVED:		SIGN & DATE:
ALL DIMENSIONS IN MM		STATE:	PROTOTYPE	www.freezersig.pl
ALL RIGHT RESERVED. THIS DRAWING NOT BE COPIED OR DUPLICATED NOR TO THIRD PARTIES WITHOUT WRITTEN CONSENT OF THE COPYRIGHT OWNER.				